

TRASH ENCLOSURE DESIGN GUIDELINES

The City of Pleasanton requires approval and permits for the construction of trash enclosures for commercial, office, industrial, mixed-use, senior housing, and multi-family residential projects. Review and approval is required by the following divisions and outside agencies:

- Alameda County Health Department (510) 567-6700
- Livermore Pleasanton Fire Department – Fire Sprinklers (925) 454-2361
- Pleasanton Garbage Service – Bin size and Quantity Required (925) 846-2042
- Stop Waste – Recycling and Composting for Multi-Family Properties and businesses with 4+ cubic yards of weekly garbage service (510) 891-6500
- City of Pleasanton Building & Safety Division – Construction (925) 931-5300
- City of Pleasanton Engineering Department – NPDES Permit (925) 931-5650
- City of Pleasanton Planning Division – Design Review (925) 931-5600

REQUIREMENTS

1. All trash enclosure plans shall be designed by a California licensed architect and a California structural engineer.
2. Trash enclosures shall be located on the site to be serviced.
3. Trash enclosures shall include a solid roof to prevent pollutant discharge and runoff during a rain event.
4. The size and dimensions of the trash enclosures shall be based on the required number and size of containers for trash, recyclables, and organic waste/composting. The applicant shall contact Pleasanton Garbage Service to confirm quantity and size of bins/containers in order to properly size the trash enclosure(s).
5. Trash enclosures for bins and containers shall be designed similar in scope to city standard detail 604 (attached to these guidelines). The final design shall be per the applicant's architect and subject to city review and approval.
6. Trash enclosures are required to have an automatic fire sprinkler protection system.
 - a. *Exception: A fire extinguishing system will not apply when **all** of the following conditions are met:*
 - i. The trash enclosure, including the door(s) and roof are constructed of non-combustible materials¹.
 - ii. The trash enclosure does not exceed 180 square feet in size;
 - iii. The trash enclosure is stand-alone structure, be a minimum of 20-feet away from adjacent buildings and 10-feet away from property line(s); and
 - iv. The enclosure is used exclusively for waste garbage, recyclables, and organize waste/composting contained within the approved trash bins/containers. No outdoor storage is permitted within the trash enclosure.

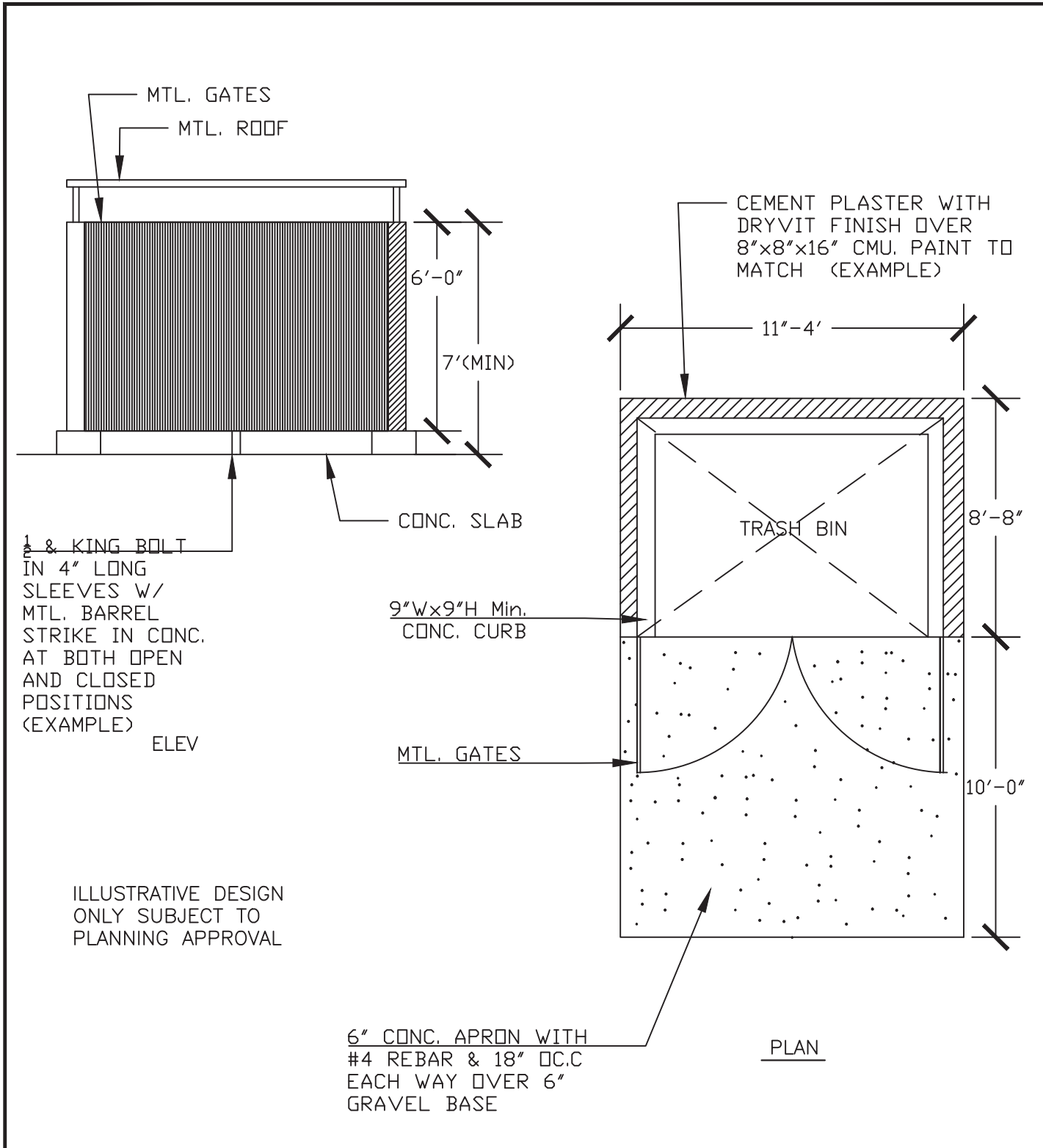
7. For all *non-regulated projects*² proposing/requiring a water line in the trash enclosure and **all regulated projects**³, the trash enclosure floor shall be designed to slope to an interior trapped area floor drain and connected to a grease interceptor before plumbing to the sanitary sewer system per the city's latest engineering standard specifications and details. The floor shall be designed to contain all interior run off and not allow outside storm rain or run off from entering the trash enclosure.
8. If the trash enclosure is connected to the city sanitary sewer system, a sign shall be posted on the front of the trash enclosure prohibiting the dumping of hazardous materials into the sanitary sewer system. The sign shall be 12 inches wide by 18 inches tall, made of rust proof aluminum, and read "No Hazardous Waste Dumping" in red letters with white background. The sign shall be reviewed and approved by the Director of Engineering.
9. Provide an accessible path of travel to the trash enclosure.

DESIGN CRITERIA

1. The design of the trash enclosure shall be architecturally compatible with the primary building on site to provide a coordinated design.
2. The exterior materials and colors of the enclosure walls shall match the building walls.
3. Chain link fencing with or without wooden/plastic slats is prohibited.
4. All trash enclosures shall have solid metal or wood gates with latches and be secured in the open/closed positions with cane bolts. Latch shall be no higher than five feet.
5. Rooves shall be painted with rust-inhibitive paint.

Definitions:

1. *Non-combustible materials*: As applied to building construction material means a material which, in the form in which it is used, is either one of the following:
 - a. Material of which no part will ignite and burn when subjected to fire. Any material passing ASTM E136 shall be considered noncombustible.
 - b. Material having a structural base of noncombustible material as defined in Item 1 above, with a surfacing material not over 1/8 inch (3.2mm) thick which has a flame-spread index of 50 or less.
2. *Non-regulated projects*: Under the current NPDES Permit, non-regulated projects are new development and redevelopment projects not regulated by Provision C.3.
3. *Regulated projects*: Under the current NPDES (National Pollutant Discharge Elimination System) Permit dated November 19, 2015, regulated projects include new development that create 10,000 square feet or more of impervious surface⁴, redevelopment projects that create and/or replace 10,000 square feet or more of impervious surface, or new development and redevelopment projects that fall into one of the special land use categories below that create/and or replace 5,000 square feet or more of impervious surface:
 - a. Auto service facilities;
 - b. Retail gasoline outlets;
 - c. Restaurants; and
 - d. Stand-alone uncovered parking lots (includes the top uncovered portion of parking structures).
4. *Impervious surface*: As defined in the Alameda County Clean Water Program C.3 Stormwater Technical Guidance Manual, a surface covering or pavement of a developed parcel of land that prevents the land's natural ability to absorb and infiltrate rainfall/stormwater. Impervious surfaces include, but are not limited to, roof tops; walkways; patios; driveways; parking lots; storage areas; impervious concrete and asphalt; and any other continuous watertight pavement or covering.



DRAWN BY: STAFF		
CHECKED BY:		
SCALE: N.T.S.		

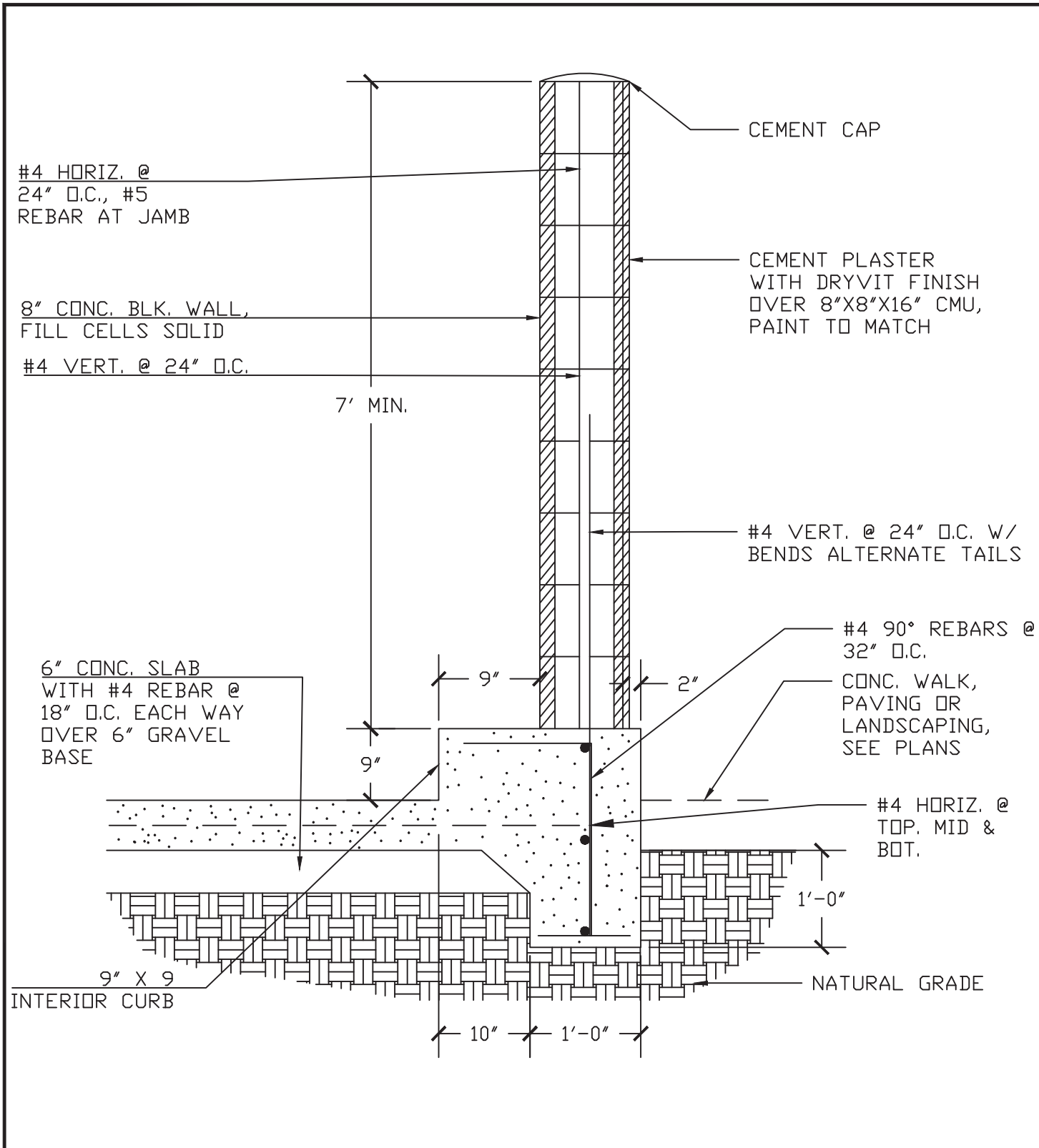
CITY OF PLEASANTON

STANDARD DETAILS

TRASH ENCLOSURE

REGISTERED PROFESSIONAL ENGINEER
 STEPHEN M. KIRKPATRICK
 No. C 053367
 Exp. 06/30/2017
 CIVIL
 STATE OF CALIFORNIA

DATE: 10/16 DWG NO. 604A



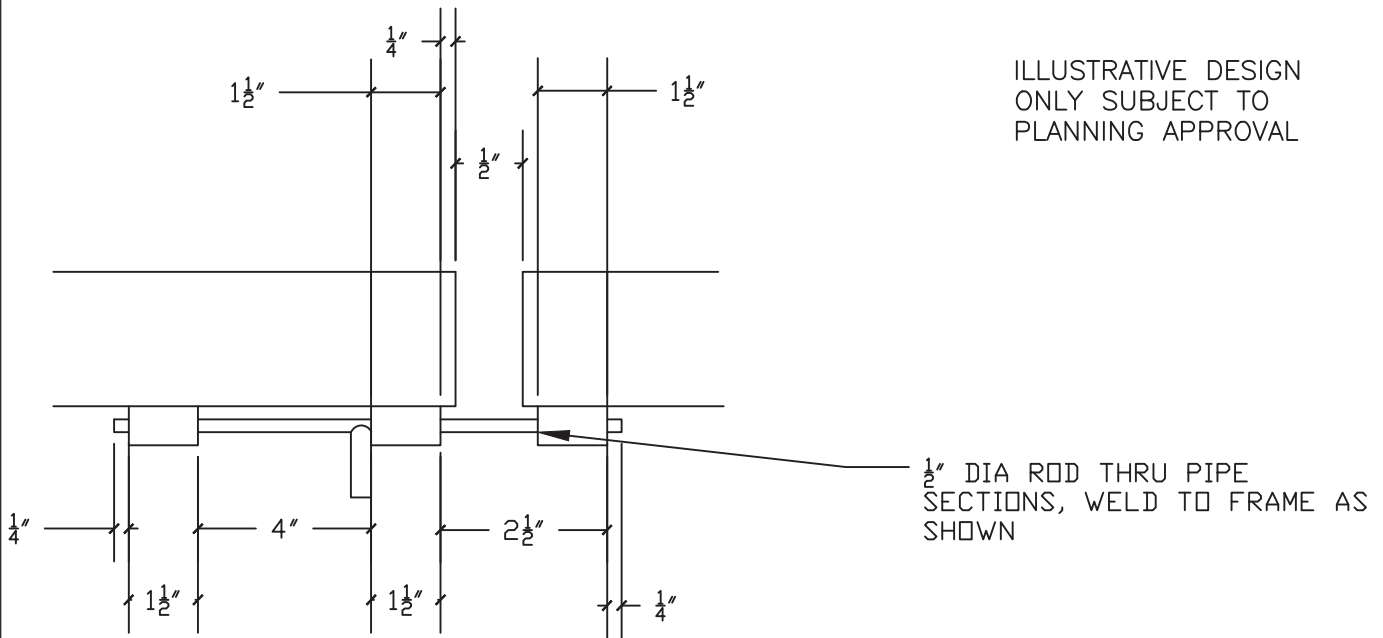
DRAWN BY: STAFF		
CHECKED BY:		
SCALE: N.T.S.		

CITY OF PLEASANTON
 STANDARD DETAILS
 TRASH ENCLOSURE

REGISTERED PROFESSIONAL ENGINEER
 STEPHEN M. KIRKPATRICK
 No. C 053367
 Exp. 06/30/2017
 CIVIL
 STATE OF CALIFORNIA

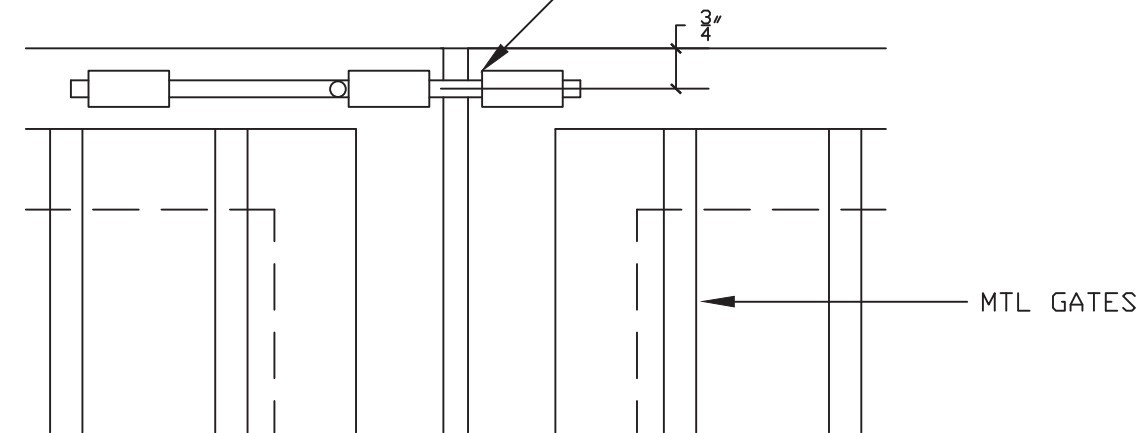
DATE: 10/16	DWG NO. 604B
-------------	--------------

ILLUSTRATIVE DESIGN
 ONLY SUBJECT TO
 PLANNING APPROVAL



PLAN

MITER CORNERS & GRIND WELDS SMOOTH



ELEV

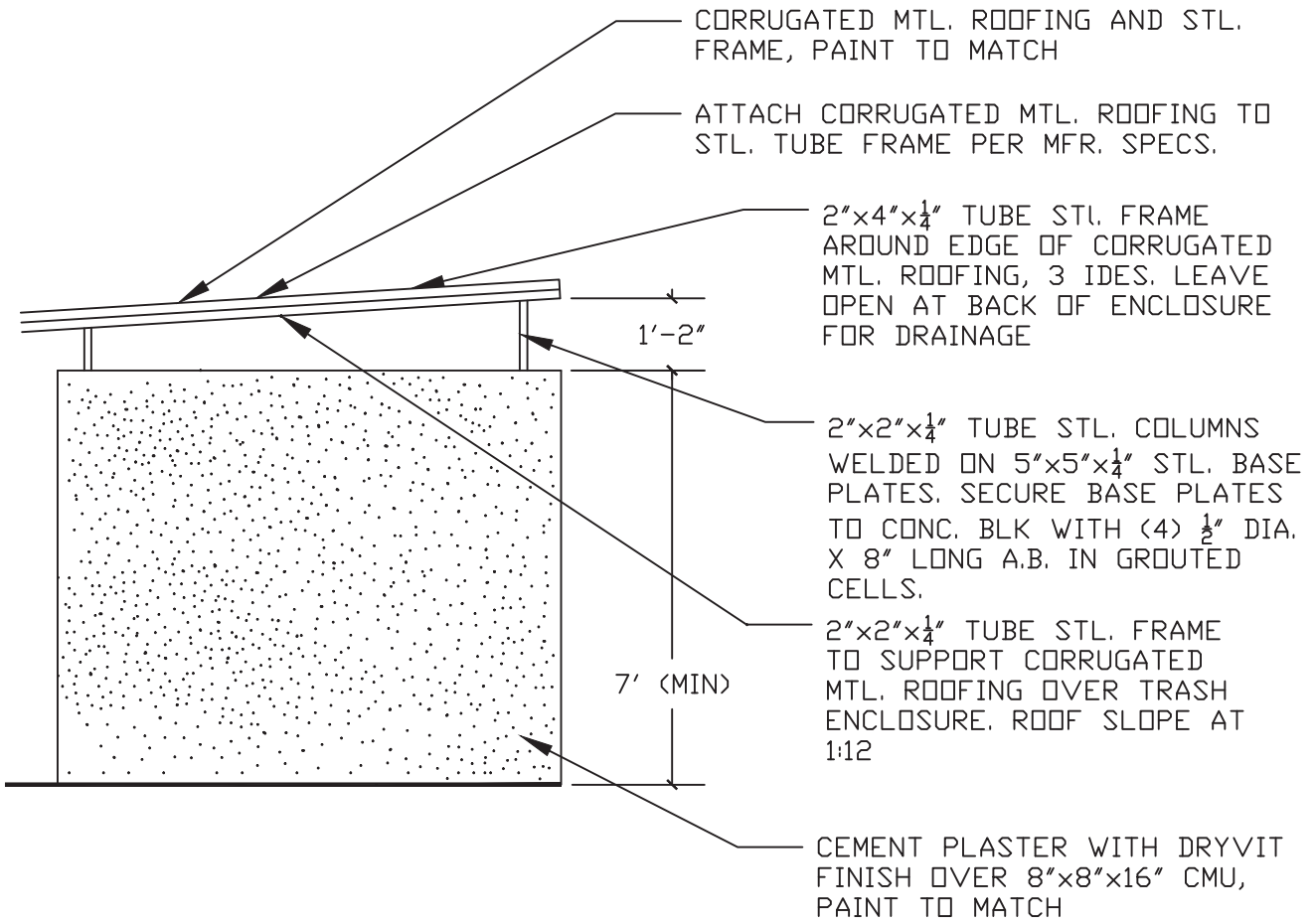
DRAWN BY: STAFF		
CHECKED BY:		
SCALE: N.T.S.		

CITY OF PLEASANTON
 STANDARD DETAILS
 TRASH ENCLOSURE



DATE: 10/16 | DWG NO. 604C

ILLUSTRATIVE DESIGN
 ONLY SUBJECT TO
 PLANNING APPROVAL



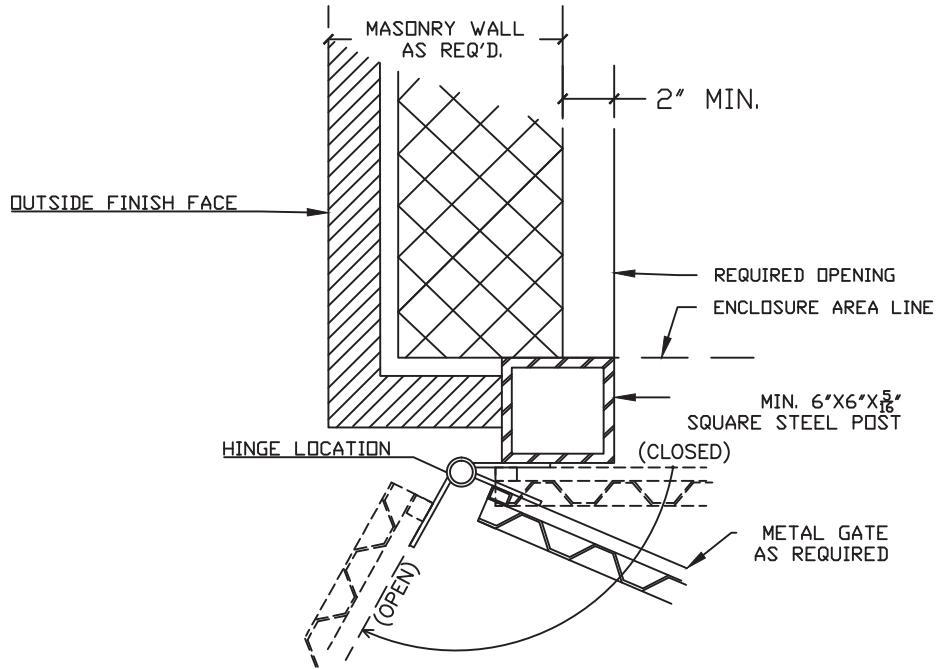
DRAWN BY: STAFF		
CHECKED BY:		
SCALE: N.T.S.		

CITY OF PLEASANTON
 STANDARD DETAILS
 TRASH ENCLOSURE

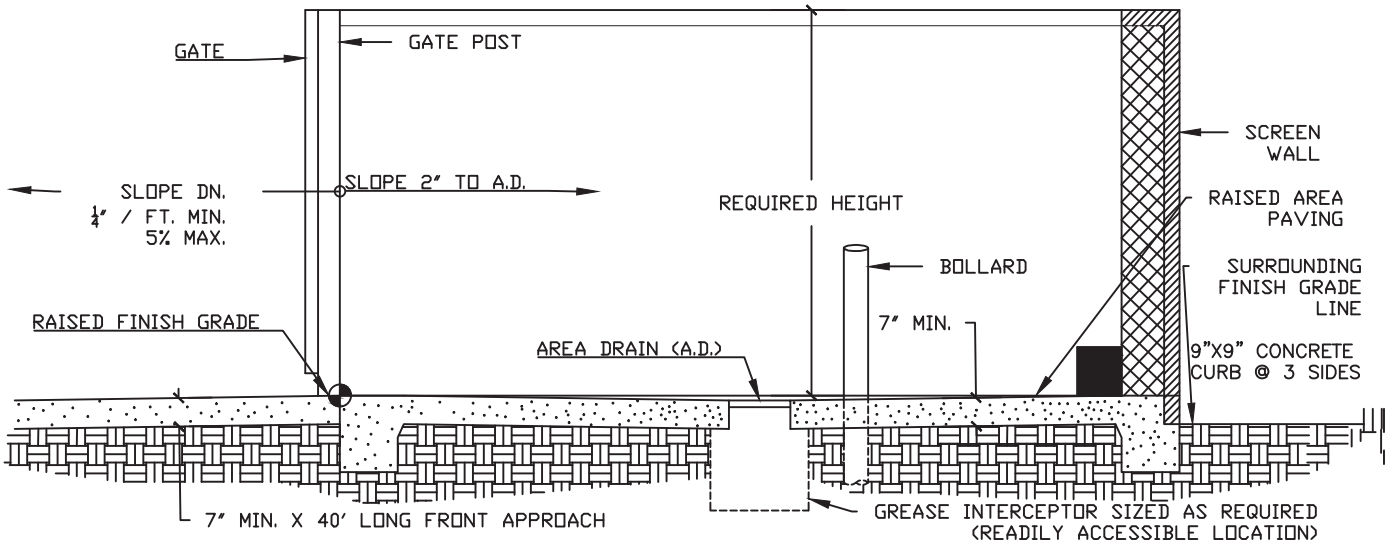


DATE: 10/16 | DWG NO. 604D

ILLUSTRATIVE DESIGN
 ONLY SUBJECT TO
 PLANNING APPROVAL



GATE POST PLAN DETAIL
 SCALE: 1 1/2" = 1'-0"



ENCLOSED AREA CROSS SECTION

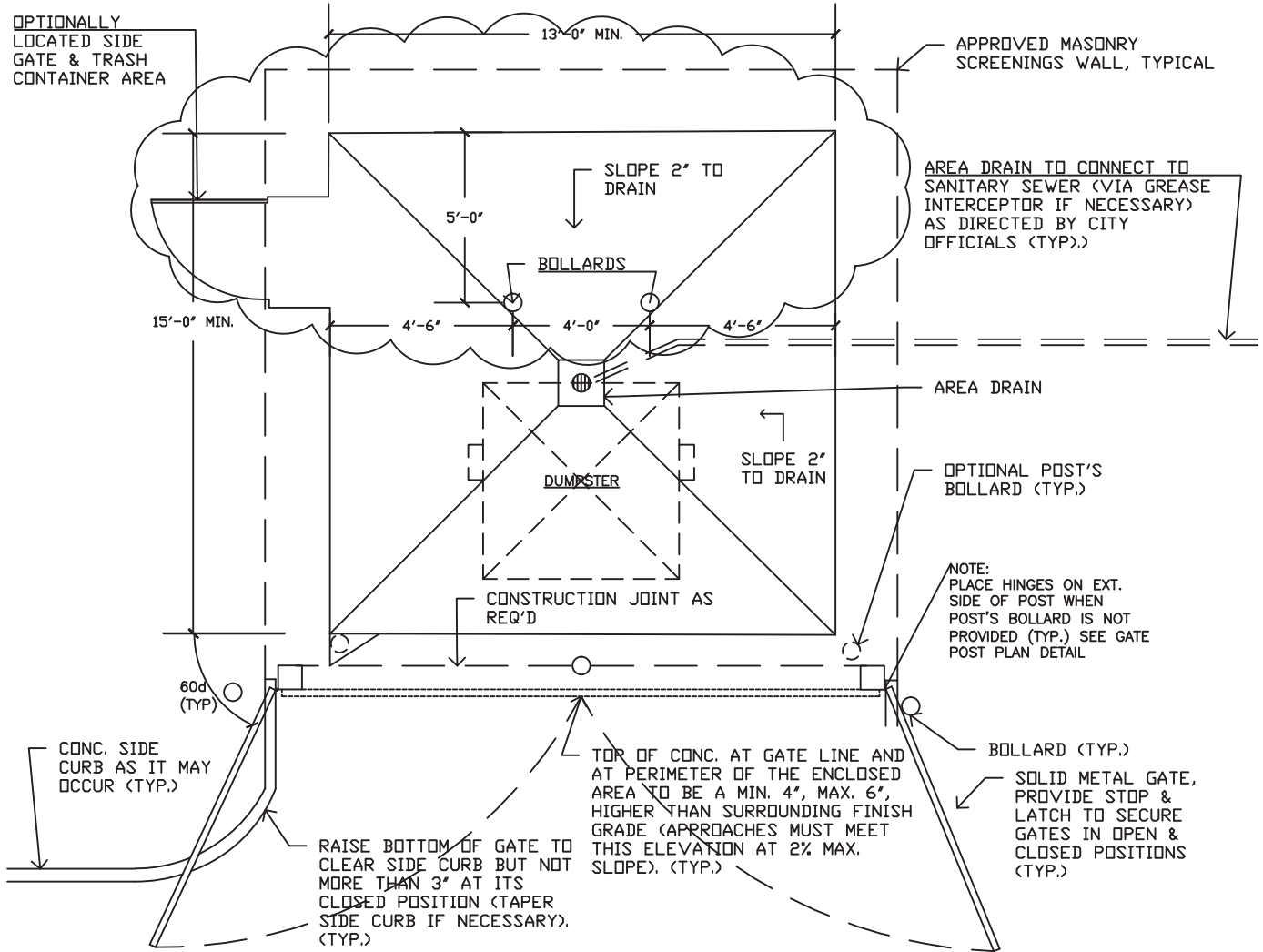
DRAWN BY: STAFF		
CHECKED BY:		
SCALE: N.T.S.		

CITY OF PLEASANTON
 STANDARD DETAILS
 TRASH ENCLOSURE



DATE: 10/16 | DWG NO. 604E

ILLUSTRATIVE DESIGN
ONLY SUBJECT TO
PLANNING APPROVAL



SINGLE CONTAINER

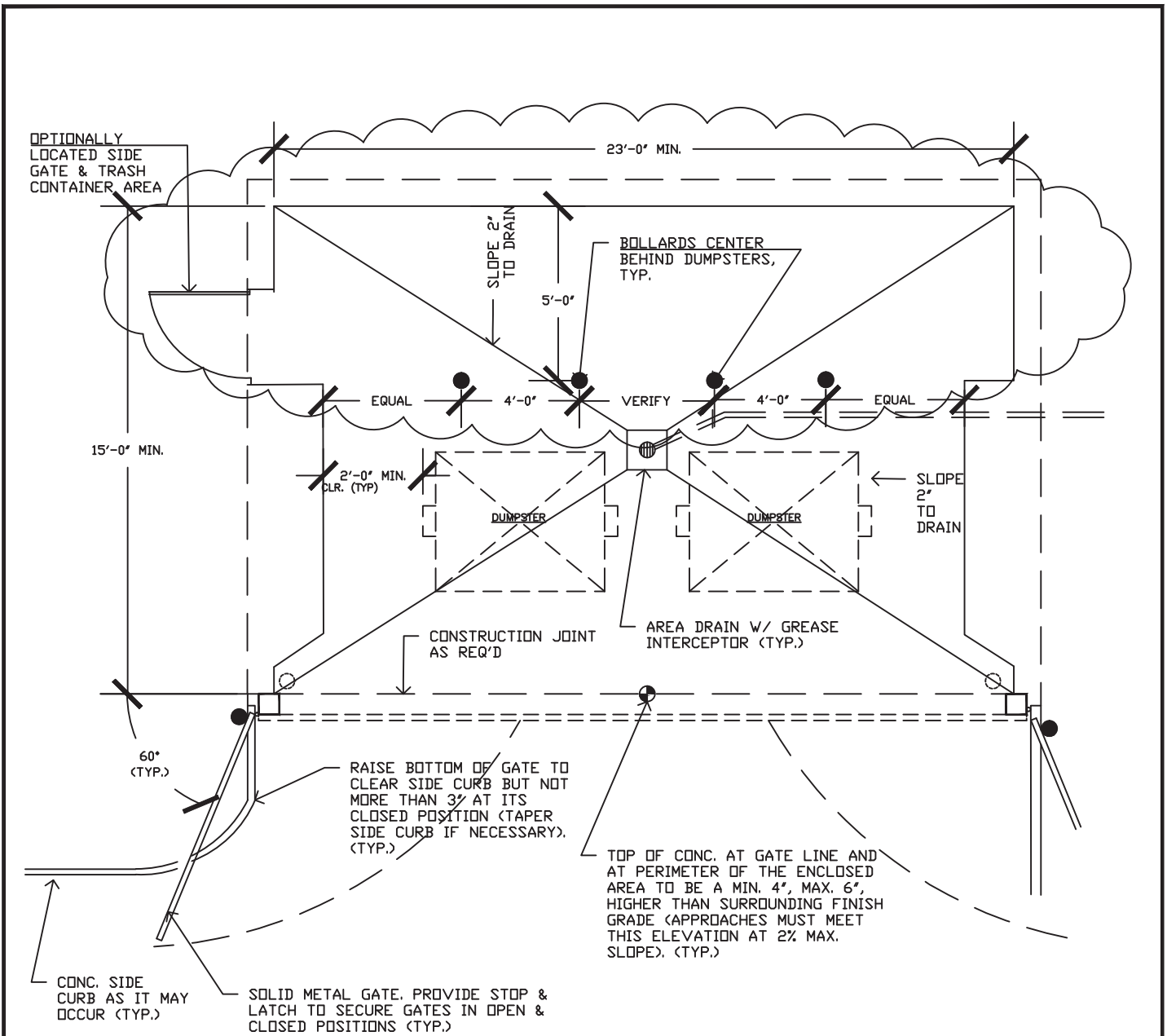
(WHERE PERMITTED)
NTS

DRAWN BY: STAFF		
CHECKED BY:		
SCALE: N.T.S.		

CITY OF PLEASANTON
STANDARD DETAILS
TRASH ENCLOSURE
SINGLE CONTAINER



DATE: 10/16 | DWG NO. 604F



DOUBLE CONTAINER
 (SCHEMES MAY COMBINE FOR LARGER SYSTEMS)
 NTS

SEE GENERAL NOTES FOR ALL ENCLOSURES ON THE SINGLE CONTAINER SPEC SHEET

FOR REFERENCE ONLY:

DRAWN BY: STAFF		
CHECKED BY:		
SCALE: N.T.S.		

CITY OF PLEASANTON
 STANDARD DETAILS
 TRASH ENCLOSURE
 DOUBLE CONTAINER



DATE: 10/16 | DWG NO. 604G